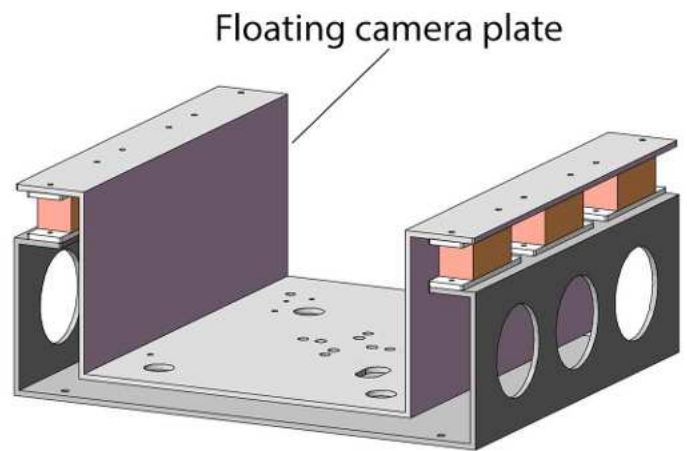




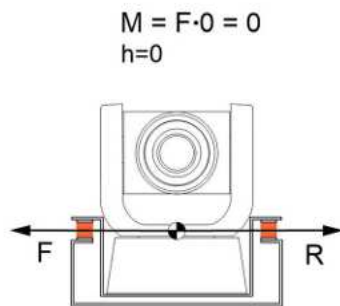
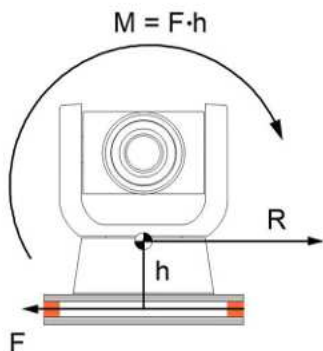
# Jabba Floor Plate - TS021

## Stabilizer plate for PTZ



The jabba plate is made of two plates and anti-vibration pads

### Jabba concept - (Patent n.202019000004365)



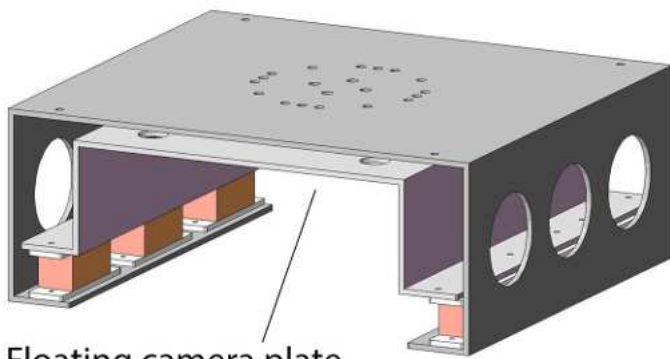
The vibrations generated by the movement, can be eliminate to mount the ptz camera on the Jabba plate

TecnoPoint reserves the right to make technical and dimensional changes to the presented products without prior notice.



# Jabba Ceiling Plate - TS020

## Stabilizer plate for PTZ



Floating camera plate



The jabba plate is made of two plates and anti-vibration pads

TecnoPoint reserves the right to make technical and dimensional changes to the presented products without prior notice.